



Gas Tube Surge Arrestor Type N male female, bulkhead

Product Description

Surge arrestors are designed to protect wireless base stations, switching centers and transmission line from the damaging effects of extreme high voltage surges caused by lightning strikes. Lightning strikes, even on grounded systems, can implant crushing voltages on RF transmission lines, creating voltage spikes on the center conductor of coaxial cable and putting the network out of commission. The new RFS lightning protection devices are designed and tested to the most demanding specifications. They are rated to protect against both direct and indirect multiple strikes in the harshest environments imaginable. Their rugged construction utilizes solid metal housings, beryllium-copper contacts and superior plating, which results in outstanding system protection and operating continuity.



N-UC230-01

Features/Benefits

- Broadband operation – DC to 2.5 GHz
- DC continuity on center conductor for reliable operation
- Replaceable 230 volts gas capsules for easy maintenance

Technical Specifications

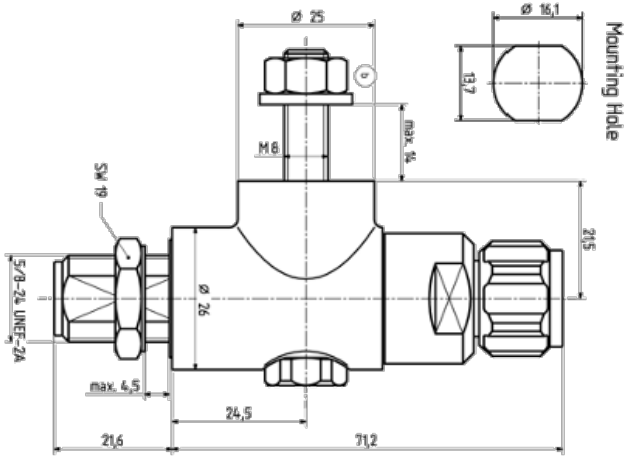
Product Line	Coaxial Cable Components
Product Type	Surge Arrestor
Surge Arrestor Type	Gas Tube
Coaxial Cable Type	Foam Dielectric, Ultraflexible Foam Dielectric , Radiating Cable
Configuration	Bulkhead
Frequency Range - MHz	DC - 2500
Minimum Return Loss, dB (max. VSWR)	26.4 (1.10) @ 0-1000 MHz, 20.0 (1.22) @ 1000-2500 MHz
Insertion Loss, dB (Max)	0.20
Surge current handling capability	40 kA single / 20 kA multiple, Pulse 8/20 μ s
Residual pulse	350 μ J typically (test pulse 4 kV 1.2/50 μ s / 2 kA Pulse 8/20 μ s)
Connector A	N Male
Center Contact Connector A	Brass, gold plated
Outer Contact Connector A	Brass, three metal plating (Copper-Zin-Zinc Alloy)
Connector B	N Female
Center Contact Connector B	Spring Bronze, gold plated
Outer Contact Connector B	Brass, three metal plating (Copper-Zin-Zinc Alloy)
Body	Brass, three metal plating (Copper-Zin-Zinc Alloy)
Dielectric	PTFE
Gasket	Silicone rubber
Sealing class	IP65
Operation Temperature, °C(°F)	-45 to 85 (-49 to 185)
Mounting / Grounding	Bulkhead; Thread for grounding M8
Spare Part / Useful Accessories	Spare capsule: UC230, Grounding Wire Kit: GW-16/20
Package Quantity	1
Weight, kg (lb)	0.30 (0.66)

Notes

Other Documentation



Gas Tube Surge Arrestor Type N male female, bulkhead



All dimensions are in mm; tolerances according to ISO 2768 m-H

All information contained in the present datasheet is subject to confirmation at time of ordering